

ROVECONCEPTS

ANGELO BARSTOOL ASSEMBLY INSTRUCTIONS

HARDWARE



A

x1



B

x1



C

x4

M6*40mm



D

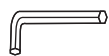
x4

M6



E

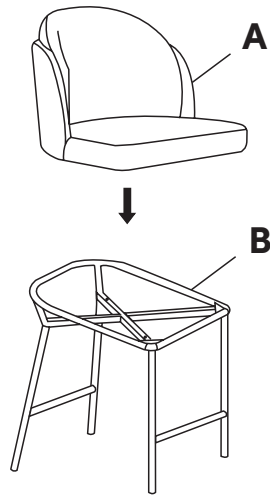
x4



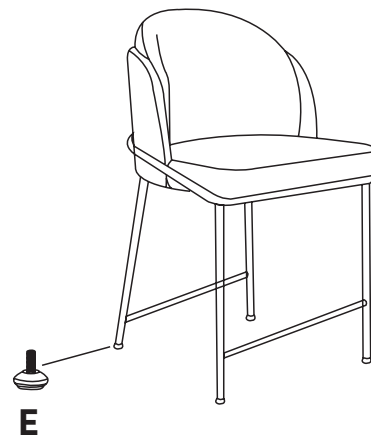
F

x1

STEP 1



STEP 3



STEP 2

